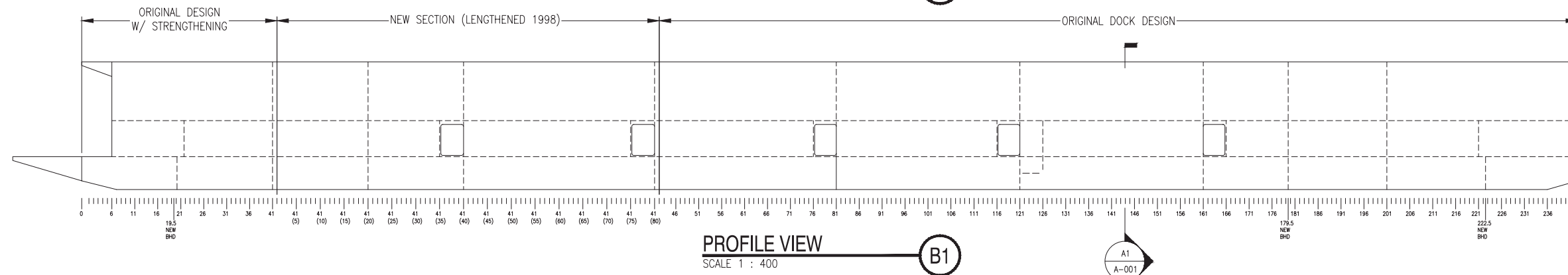
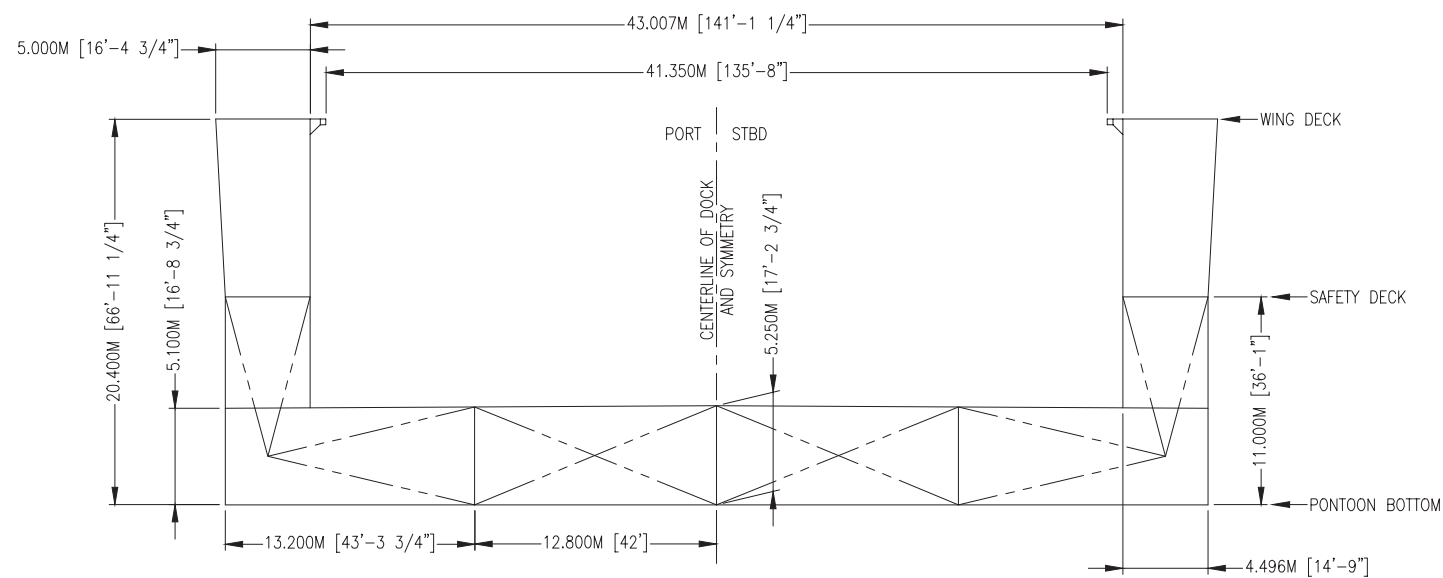


**PLAN VIEW**  
SCALE 1 : 400



**PROFILE VIEW**  
SCALE 1 : 400



**SECTION**  
SCALE 1 : 200

**GENERAL**

DELIVERED 11/18/83  
 SHIPYARD KAWASAKI HEAVY INDUSTRIES, LTD., SAKAIDE WORKS, JAPAN

LENGTHENED 5/10/98 TO 11/30/98  
 SHIPYARD NATIONAL STEEL AND SHIPBUILDING COMPANY

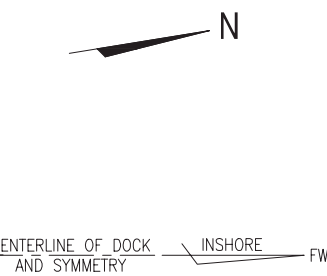
CLASSIFICATION - ABS A1 FLOATING DRY DOCK

DOCK WEIGHT 17,328 LT  
 VCG 25.03 FT

**LIFTING CAPACITY**

NAVY CERTIFIED RATED CAPACITY (18 INCHES FREEBOARD) 35,000 LT  
 BUOYANT CAPACITY 48.3 LT/FT

ABS RATED LIFTING CAPACITY (12 INCHES FREEBOARD) 37,000 LT



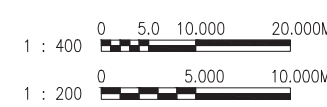
**HEGER DRY DOCK, Inc.**  
 DRY DOCK ENGINEERS  
 DESIGN, INSPECTION AND CERTIFICATION  
 531 CONCORD STREET  
 HOLLISTON, MA 01746  
 (508) 429-1800

DESIGNER: DRW JJB  
 CHECKER: CHIEF ENG. WALEED SAYED  
 DATE: 10/06/2016

**NASSCO**  
 SAN DIEGO, CA

**PROJECT TITLE:**  
 DEVELOP OVERHAUL SPECIFICATION FOR FLOATING DRY DOCK

**DRAWING TITLE:**  
 GENERAL ARRANGEMENT



SCALE: AS NOTED  
 PROJECT NO.: 3966-D  
 CONSTR. CONTR. NO.

SHEET 1 OF 13

**G-001**